



Klipsch^{INC.}

AUDIO AND HOME THEATER PRODUCTS

Rebel



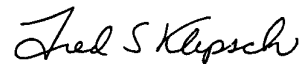
Owner's Manual
& Warranty

Congratulations on your purchase of a Klipsch Rebel series loudspeaker system! Rebel's compact size provides great flexibility and adds an exciting new dimension to your home entertainment system. Rebel delivers state-of-the-art sound reproduction for audio or home theater use in nearly any space. We expect your Rebel loudspeakers to give you many trouble free years of listening enjoyment. The Rebel series was developed using the latest in materials and technology. Rebel loudspeakers deliver extraordinary sound from any of today's demanding digital sources. Rebel offers the accuracy, dramatic imaging and high efficiency that characterize the "like live" Klipsch sound. By utilizing Klipsch horn technology in a satellite loudspeaker, our engineers have given Rebel the type of high quality sound normally found only in larger models. It is a truly enjoyable listening experience.

Please take the time to fill out the enclosed questionnaire and warranty registration card. This information helps us serve you better and assists our dealers in meeting your needs as a valued Klipsch customer. Should you have any questions, or need more information on Rebel or other Klipsch products, please contact us. We will be happy to assist you, and we welcome your feedback.

Thank you for choosing Klipsch loudspeakers.

Sincerely,



Fred S. Klipsch
Chairman & CEO

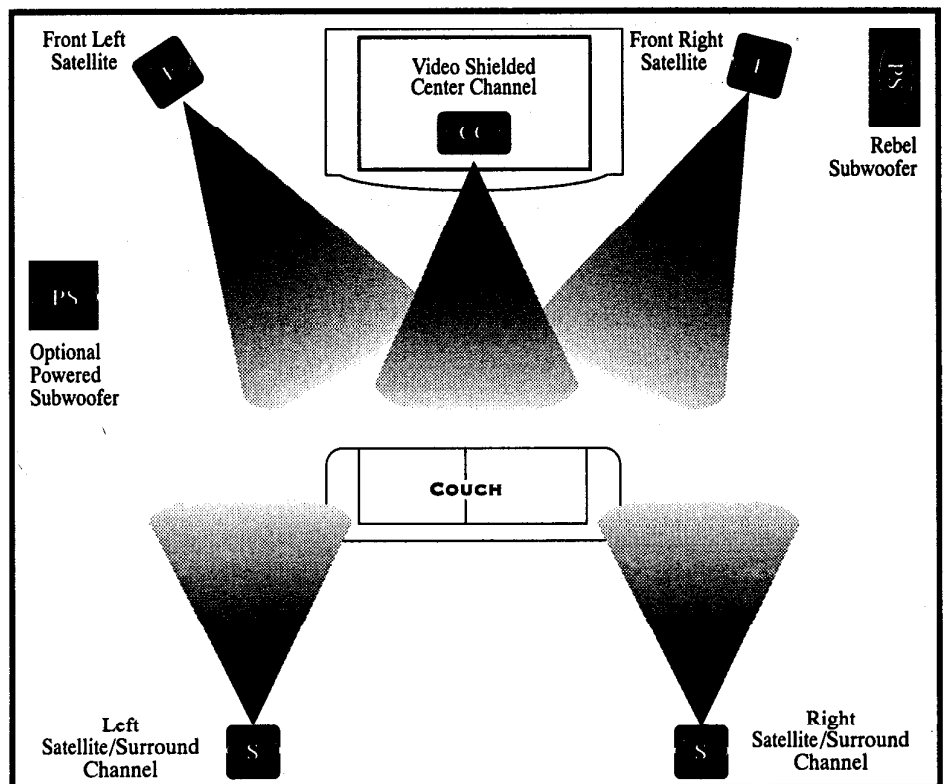
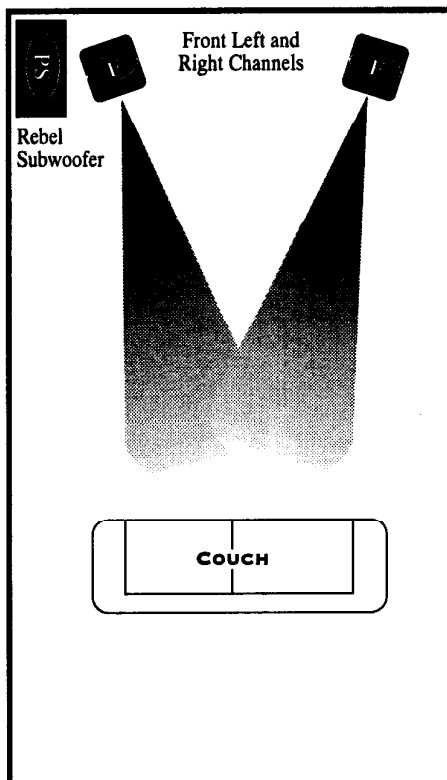
PLANNING YOUR KLIPSCH HOME ENTERTAINMENT SYSTEM

Your new Klipsch loudspeakers will enhance the performance of your home entertainment system, whether they are used with an audio or home theater system. Placement is a very important part of getting the most from your loudspeakers. Please refer to the diagrams below as a guide for how you should place your Rebel loudspeakers.

AUDIO

AUDIO/HOME THEATER

F Front Left and Right Channels **S** Left and Right Surround Channels **CC** Center Channel **PS** Powered Subwoofer



KLIPSCH REBEL KSS-1 CENTER CHANNEL

The Rebel KSS-1 is a satellite type loudspeaker optimized for use as a center channel. The ALL neodymium magnet structures in the drivers provide complete video shielding; there is no picture discoloration or deformation due to stray magnetic fields. For best results, the center channel should be on or as close to the TV screen as possible, so that sound seems to originate directly from the screen. To use a center channel, your receiver or signal processor must have a designated center channel output. If you need to place left and right front channels next to a television, a pair of KSS-1's may be used for left and right front channels, with a third KSS-1 as a center channel. This provides video shielding at all three speakers locations.

HOW TO CONNECT THE REBEL CENTER CHANNEL SPEAKER

Good cable and connections will make an audible improvement in the sound of your loudspeakers. Your Klipsch dealer can help you with the selection of proper high quality cable to ensure optimal connections and ease of use.

1. Locate the loudspeaker as close to the television as possible, centered above or below the screen. Use the four rubber feet packed in this box for placement on top of the TV. For horizontal placement, mount two of the rubber feet at the front of the cabinet and adjust the "arm" on the back of the cabinet to aim the loudspeaker directly at the listening area. To place the loudspeaker vertically, all four rubber feet should be mounted on the bottom of the speaker. Vertical orientation provides the broadest coverage of the listening area. Horizontal is the best for unusually high or low placement which require the use of the adjustable arm
2. Switch electronics to "OFF" position.
3. From the center loudspeaker, connect the wire from the BLACK terminal to the electronics loudspeaker output for the CENTER channel labeled "common", "ground", "-" (negative) or colored BLACK.
4. Connect the wire from the RED loudspeaker terminal to the electronics loudspeaker output terminal for the CENTER channel labeled "8Ω", "+" (positive), or colored RED. Most two conductor wire has some form of marking on the insulation to distinguish one conductor from the other. This can take the form of a stripe or ridge molded into the insulation or other distinguishing marks.

KLIPSCH REBEL KSS-2 SURROUND LOUDSPEAKERS

Rebel KSS-2 loudspeakers are intended for use as rear or side surrounds in home theater applications. In combination with other loudspeakers, they add dynamic realism and special effects impact by virtue of their high efficiency. KSS-2 loudspeakers make the most of the lower power outputs common with the surround channels on many electronic components. These satellites have a remarkable 93 dB sensitivity level resulting in good sound levels in surround applications. A 3 dB increase in sensitivity is equivalent to DOUBLING the amount of amplifier power needed to achieve the same loudness. The KSS-2 satellites also come with two provisions for wall mounting: a) "keyhole" slots for mounting to a nails or screw heads; and b) a pair of Vogel's (SAT-5) loudspeaker brackets. The brackets are the best way to mount your loudspeakers, as they offer a greater degree of directional flexibility once you've positioned the loudspeakers on a wall. Directions for use of the brackets are included in the smaller package containing the brackets.

HOW TO CONNECT REBEL SURROUND SATELLITES

Good cables and connections will make an audible improvement in the sound of your surround loudspeakers. Your dealer can assist you in selecting cables that best meet your needs, including many designed specifically for surround loudspeakers which are easily hidden or offer cleaner appearance.

1. Switch electronics to "OFF" position.
2. For the left surround loudspeaker, connect the wire from the BLACK loudspeaker terminal to the electronics loudspeaker output terminal labeled REAR LEFT or LEFT SURROUND channel, or marked "-", or colored BLACK.
3. Next connect the wire from the RED loudspeaker terminal to the electronics loudspeaker output terminal labeled LEFT REAR or LEFT SURROUND, or marked "+", "8Ω", or colored RED. Most two conductor wire has some form of marking on the insulation to distinguish one conductor from the other. This can take the form of a stripe or ridge molded into the insulation or other distinguishing marks.
4. The surround loudspeakers should be placed as indicated in the diagram for home theater set-up. Surrounds are used to create directional effects, adding to the feeling that you are "part of the action" when watching a movie. Proper placement is essential to achieve the full benefits of surround sound. Rear channel speakers usually perform best when mounted at least 5' up on the wall, 7' or 8' is better.
5. For the right surround loudspeaker, repeat steps 2 & 3.

KLIPSCH REBEL KSS-3 SUBWOOFER-SATELLITE 3 PIECE SPEAKER SYSTEM

The Rebel KSS-3 is a 3 piece loudspeaker system consisting of a powered subwoofer and a pair of stereo satellites. Use this system as a full range audio hi-fi sound system or as the basis for a home theater set-up. In audio hi-fi use, the Rebel KSS-3 takes the place of a traditional pair of larger loudspeakers, but offers considerable space savings and greater placement options. A subwoofer is needed to reproduce the lower frequency sounds (deep bass) that the smaller satellites cannot physically reproduce. Designed to work as a system, the KSS-3 covers nearly the entire audible frequency range from 40 Hertz to 20,000 Hertz, actually providing more bass output than most traditional loudspeaker pairs. Since frequencies below 100 Hertz are essentially non-directional, a single subwoofer can be used with smaller satellite loudspeakers that produce the higher frequencies and provide the left and right channel information that forms the stereo image. Rebel satellites use a sophisticated nine element crossover network which, in combination with the powered subwoofer, provides matched frequency response and a nearly seamless transition between sub and satellites. This combination creates a very life-like sound stage with exceptional imaging characteristics. A powered sub dramatically improves performance by providing the user with the ability to match room acoustics and get the best possible bass performance in any given room. Also, since the more difficult bass loads are handled by a dedicated amplifier in the subwoofer, there is ample power to drive the highly efficient Rebel satellites from any amplifier source, most typically a receiver.

HOW TO CONNECT THE REBEL SUB-SAT SYSTEM

1. Attach the four small rubber feet to the bottom of the loudspeaker to minimize vibration and movement of the loudspeakers when placed on shelves or stands.
2. Switch electronics to the "OFF" position.
3. Begin with the satellite loudspeakers. For the left main (front) loudspeaker, connect the wire from the BLACK terminal to the electronics loudspeaker output for the MAIN channel labeled: LEFT FRONT; LEFT MAIN; "A"; "Common"; "Ground"; "-" (negative); or colored BLACK.
4. Connect the wire from the RED left loudspeaker terminal to the electronics speaker output for the MAIN channel labeled LEFT FRONT; LEFT MAIN; "A"; "8Ω"; "+" (positive) or colored RED. Most two conductor wire has some form of marking on the insulation to distinguish one conductor from the other. This can take the form of a stripe or ridge molded into the insulation or other distinguishing marks.
5. For the right main (front) loudspeaker, repeat steps 3 & 4.

THE REBEL SUBWOOFER.

Your Klipsch Rebel subwoofer is designed to operate at frequencies below 120 Hertz. Since frequencies below 100 Hertz are essentially non-directional, there may be several options for your subwoofer placement. The positioning of your sub will affect low frequency (bass) response, and moving the sub slightly can make audible differences in performance. The Rebel subwoofer is a band pass type design with port tubes on the front panel of the subwoofer cabinet. The output from the subwoofer comes from these ports. For best results the subwoofer should be placed in or near a corner of the room. Corner loading improves the loading of the subwoofer, increasing its efficiency. Higher efficiency also increases the maximum output capability of the entire system, improving its dynamic range. Variations in room acoustics may dictate placing the subwoofer in a location other than a corner, which may provide smoother low frequency response.

Some precautions should be observed when positioning the subwoofer:

1. Provide at least a 4" clearance from any wall to allow proper ventilation for the subwoofer's power amplifier.
2. When recessing the subwoofer into a cabinet or wall, provide at least 4" of clearance around the entire perimeter of the subwoofer cabinet.
3. Do not operate the subwoofer near a source of extreme heat.
4. Do not operate the subwoofer outdoors or in humid environments.
5. Because the subwoofer is NOT magnetically shielded, leave at least 12" of clearance around any television.

SUBWOOFER INSTALLATION AND HOOK UP

The Klipsch Rebel subwoofer, like all Klipsch subwoofers, can be connected using either line level or speaker level inputs. The choice of input connection depends on the equipment you own.

High level (speaker level) inputs are the best choice when connecting the subwoofer to a RECEIVER or INTEGRATED AMPLIFIER that lacks a specific (dedicated) subwoofer or Pre-Amp output jack.

Line level inputs are the best choice when connecting the subwoofer to a PRE-AMP and power amp or any equipment that has Pre-Amp out, main-amp in jacks. Please NOTE: Line level outputs include: a pre-amplifier out, subwoofer out, or variable line out. If only 1 pair of PRE-AMP outputs exists, "Y" adapter may be used to split the output to both your amplifier and subwoofer. If you are connecting your sub to a mono subwoofer output, best results are obtained if this jack does not have a low pass filter

Either input combines the left and right channel, resulting in a monaural signal which is passed on to the subwoofer. However, there is a 6 dB increase in level if a "Y" adapter is added to a mono line level input cable. This will connect the signal into both left and right inputs on the subwoofer.

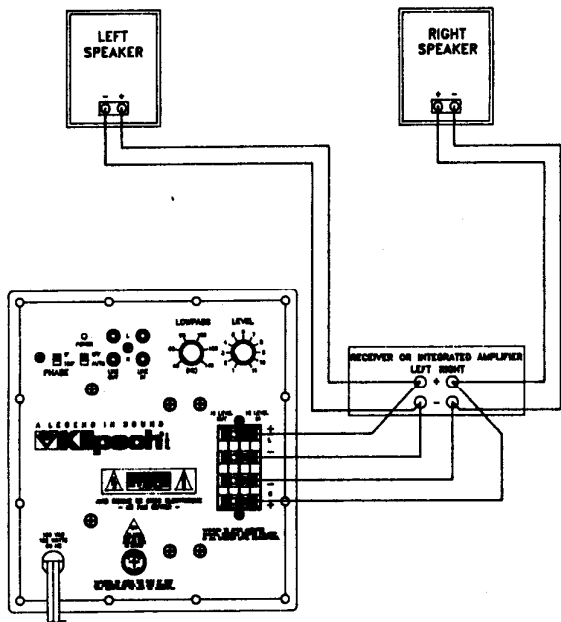
IMPORTANT NOTE: DO NOT use both the low level and high level inputs simultaneously!

A FULL RANGE HOOK UP WILL PROVIDE THE BEST CLARITY FROM THE SATELLITES BUT WILL SLIGHTLY LOWER THEIR MAXIMUM OUTPUT CAPABILITY.

Use the following hook up (figs.# 1&2) to send a full range signal to the satellite speakers.

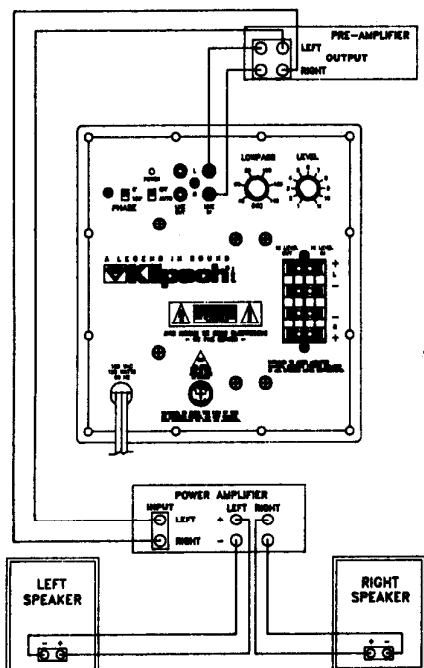
Speaker Level hook up

Figure 1



RCA Line Level hook up

Figure 2

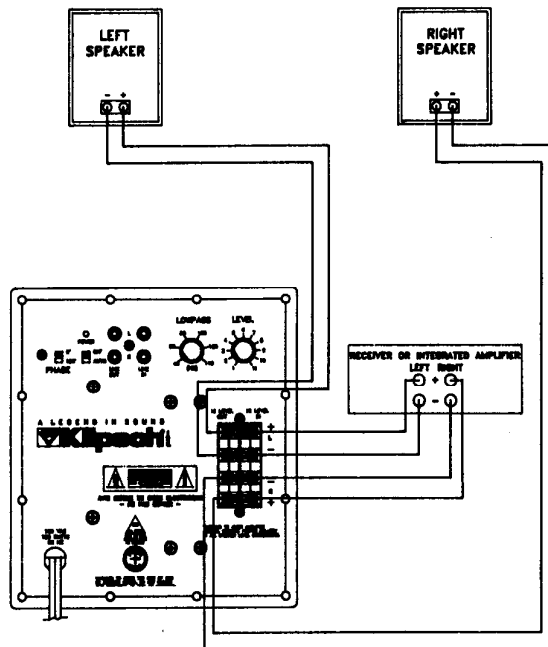


THIS TYPE OF HOOK UP IS RECOMMENDED FOR HOME THEATER SYSTEMS OR ANY SITUATION IN WHICH THE SPEAKERS WILL BE PLAYED AT LOUD LEVELS.

Use the following hook ups (figs.# 3&4) to send a limited range (bass filtered) signal to the satellites. ...If a limited range signal is desired, the line level hook up (fig.4) will provide the best clarity from the satellites. High quality shielded interconnects are recommended (figs. 2&4).

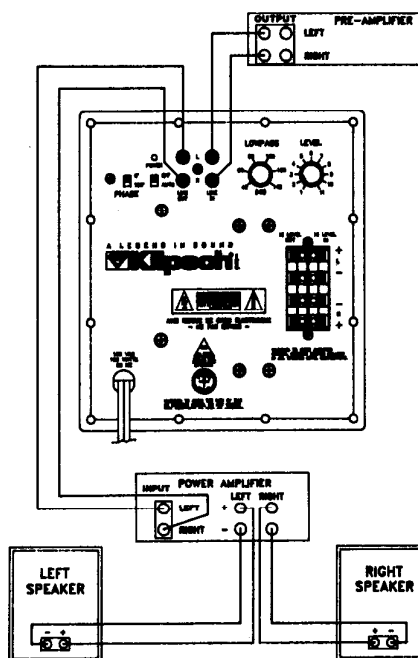
Speaker Level hook up

Figure 3



RCA Line Level hook up

Figure 4



SAFETY WARNINGS

DO NOT make connections (other than the power cord of the powered subwoofer) directly to any AC electrical wall outlet. Connections should be made only to an audio amplifier or equivalent component and only as described in the section entitled "How to Connect".

DO NOT operate speaker under extremely humid or adverse temperature conditions.

Regardless of your amplifier's rated capacity, do NOT operate the speakers at the full output (highest volume) position of the amplifier. Amplifiers can create extremely high levels of distortion when operated at full output and such distortion levels can cause damage to your loudspeakers. Many amplifiers reach their full output with the volume control at the twelve to ten o'clock position (rotary knob type).

Position speaker connection wires so that they do not create a hazard.

OPERATING CONTROLS

Power Switch

The Rebel subwoofer uses an auto-sensing circuit which turns the amplifier "ON" when this circuit senses a signal from the electronics. There is also a conventional power switch with positions for "OFF" and "AUTO". When connecting the subwoofer the switch should be in the "OFF" position and the subwoofer should be UNPLUGGED. Once all of the connections have been made, the sub can be plugged in and the switch placed in the "AUTO" position, where it should be left for normal operation.

Level Control

Located on the rear panel of the Rebel subwoofer, the LEVEL control adjusts the volume of the subwoofer relative to your other speakers. The LEVEL control can be used to control the bass output of your system. (Initial setting is suggested at between 2 and 4).

Lowpass Control

Also located on the rear panel, the variable low pass filter controls the upper frequency limit of the subwoofer. The filter is continuously variable from 40 to 140 Hertz, and is used to obtain a proper match between the subwoofer and the main (left and right channel) satellite loudspeakers. It should generally be set at or near the high pass frequency being used with your left and right speakers. By using the Rebel subwoofer as described in figures 3&4 you are providing 120 Hz high pass filter to the satellites. In all cases, experimentation is recommended due to variability in placement, room acoustics and your equipment. (Initial setting is recommended at 90 Hz).

Phase Switch

The PHASE switch is located on the rear panel and is just left of the POWER switch. The PHASE switch should be set to the "0" or "+" (positive) position/setting to begin the set-up procedure. Listen to a recording with a prominent bass line in your primary listening chair. Then set the switch to the opposite position "180" (negative) setting and again audition the same recording, at your listening position. Use the setting that gives you the greatest quantity of bass. If the subwoofer is later repositioned, this procedure may have to be repeated.

TROUBLESHOOTING

If your Rebel subwoofer has no output:

1. Double check your power and system connections.
2. Make sure the level control is turned up.
3. Check the RED LED light located on the back panel. If the LED is not lit, unplug the subwoofer and check the AC fuse. If the fuse is blown, consult your dealer or Klipsch Inc.

CARE OF YOUR SPEAKER

Your cabinet may be cleaned with a soft cloth that has been slightly dampened. Avoid placing speakers in direct sunlight or in extremely humid areas.

SPECIFICATIONS

Rebel

K S S - 1

Center Channel

BANDWIDTH: 115 Hz - 20 kHz ± 3 dB
SENSITIVITY: 91 dB @ 1 watt/1 meter
NOMINAL IMPEDANCE: 8 ohms
POWER HANDLING: 65 watts (260 watts peak)
ENCLOSURE TYPE: Horn Loaded, 2-way system
DRIVE COMPONENTS:
 K-93-KN 1" (2.54 cm) dhorm tweeter
 K-1047-KN 4" (10.16 cm) woofer
CROSSOVER FREQUENCY: 2100 Hz
WEIGHT: 4 lbs. (1.81 kg)
DIMENSIONS:
 Height: 8 1/2" (21.59 cm)
 Width: 5 3/4" (14.61 cm)
 Depth: 5 1/4" (13.34 cm)
FEATURES: Video shielded

Rebel

K S S - 2

Satellite Surround

BANDWIDTH: 115 Hz - 20 kHz ± 3 dB
SENSITIVITY: 93 dB @ 1 watt/1 meter
NOMINAL IMPEDANCE: 8 ohms
POWER HANDLING: 65 watts (260 watts peak)
ENCLOSURE TYPE: Horn Loaded, 2-way system
DRIVE COMPONENTS:
 K-93-KN 1" (2.54 cm) dhorm tweeter
 K-1046-K 4" (10.16 cm) woofer
CROSSOVER FREQUENCY: 2100 Hz
WEIGHT: 4 lbs. (1.81 kg)
DIMENSIONS:
 Height: 8 1/2" (21.59 cm)
 Width: 5 3/4" (14.61 cm)
 Depth: 5 1/4" (13.34 cm)

Rebel

K - R S W

Powered Subwoofer

TYPE: 6 1/2" band pass enclosure
AMPLIFIER: 50 watts continuous into 4 ohms
 80 watts peak
MAXIMUM OUTPUT LEVEL: 102.5 dB
FREQUENCY RESPONSE: 40 - 140 Hz ± 3 dB
CROSSOVER LOW PASS: Variable at 40 - 140 Hz
 24 dB/octave slope above 120 Hz.
HIGH PASS: (To main speakers) with fixed high pass
 at 120 Hz, 6 dB/octave slope.
INPUTS/OUTPUTS:
 RCA line level and speaker level inputs/outputs
DRIVE COMPONENTS: K-1040 - K 6.5" (16.51 cm) driver
WEIGHT: 31 lbs. (14.06 kg)
DIMENSIONS: with feet
 Height: 15" (38.10 cm)
 Width: 9" (22.86 cm)
 Depth: 21 5/8" (54.93 cm)
VOLTAGE: 110/120 VAC/60Hz or 220/240 VAC/50Hz

✂ Cut along dotted line and mail.

For multiple speaker purchases, please fill out only one warranty card.

Name _____

Address _____

City _____ **State** _____ **Zip** _____

Age _____ **Marital Status** Single Married Divorced

Highest Education Level High school College Graduate

Did you purchase these speakers for Music Home Theater Both

What kind of music do you like? (please check one only) Rock Classical Jazz New Age RB Country Other

Dealer Name _____

Dealer Address _____

Dealer City _____ **State** _____ **Zip** _____

Date of Purchase _____

Model, serial number, and finish must be included to honor your warranty card.

Model _____ **Serial Number** _____

Model _____ **Serial Number** _____

Model _____ **Serial Number** _____

Model _____ **Serial Number** _____

Model _____ **Serial Number** _____

Model _____ **Serial Number** _____

Other speakers you own Brand _____ Bookshelf Floor standing Custom

Other electronics you own (check as many as apply)

TV (screen size in inches) _____ Projection TV (screen size in inches) _____ A/V amplifier

VCR Laser disc player CD player Cassette player Turntable Pre-amp

Audio Amplifier Audio Receiver Satellite dish Cable

Are you purchasing for New Home Existing Home How Long at Existing Home _____

How did you hear about Klipsch speakers?

Magazine Dealer Advertising TV Friend Dealer Recommendation Builder

KLIPSCH LIMITED WARRANTY

Klipsch, Inc. warrants this unit to be free from defects in materials and workmanship, **if purchased originally by a consumer from an authorized Klipsch franchised dealer.** This warranty does not extend to damage resulting from improper installation, misuse, neglect or abuse, or to exterior appearance. Klipsch, Inc. will repair or replace at its option any of the items covered by this warranty, except the amplifier and electronics of the Klipsch powered subwoofer, without charge for parts or labor, in case of defect, malfunction, or failure to conform to this warranty within **five years** of the original date of purchase. Klipsch, Inc. will repair or replace at its option the cabinet and speaker parts of the Klipsch powered subwoofer covered by this warranty, without charge for parts or labor, in case of defect, malfunction, or failure to conform to this warranty within **five years** of the original date of purchase. Klipsch, Inc. will also repair or replace at its option the amplifier and electronics of the Klipsch powered subwoofer covered by this warranty, without charge for parts or labor, in case of defect, malfunction, or failure to conform to this warranty within **two years** of the original date of purchase. This warranty is recognized only when the unit is repaired by any authorized Klipsch franchised dealer or by Klipsch, Inc. and only if inspection seals and serial number on the unit have not been defaced or removed. Unauthorized repairs will void this warranty.

IN NO EVENT SHALL KLIPSCH, INC. BE LIABLE FOR INCIDENTAL OR CONSEQUENTIAL DAMAGES. Some states do not allow the exclusion or limitation of incidental or consequential damages, so the above limitations may not apply to you. Contact your nearest Klipsch franchised dealer or Klipsch, Inc. at the address below if you have questions about the coverage of this warranty or service under the warranty.

This warranty gives you specific legal rights, and you may have other rights which vary from state to state.

To assure validation of your warranty, please complete this card and mail it to Klipsch, Inc., 8900 Keystone Crossing, Suite 1220, Indianapolis, Indiana U.S.A. 46240.



8900 Keystone Crossing, Suite 1220 • Indianapolis, Indiana 46240 • 1-(800) KLIPSCH

Make sure you return your warranty card so that we may keep you up-to-date on new Klipsch products and promotions. As always, if you have any questions, contact your local authorized Klipsch dealer.

For your records:

Model

Serial Number

Date Purchased

Dealer Name

Klipsch, Inc.
8900 Keystone Crossing, Suite 1220
Indianapolis, Indiana U.S.A. 46240

Place First Class
Postage Stamp
Here